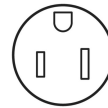


## EM-DUO 120/15

Order No.: 5600461

<http://eshop.phoenixcontact.de/phoenix/treeViewClick.do?UID=5600461>

Rail-mountable double socket, for mounting on 35 mm mounting rail in acc. with EN EN 60715, housing color: white, with screw connection, national version: USA



<http://www.download.phoenixcontact.com>  
Please note that the data given here has been taken from the online catalog. For comprehensive information and data, please refer to the user documentation. The General Terms and Conditions of Use apply to Internet downloads.

### Commercial data

EAN	4017918929930
Pack	1 Pcs.
Customs tariff	85366990
Weight/Piece	0.2534 KG
Catalog page information	Page 513 (IF-2007)

### Technical data

#### General data

Nominal voltage $U_N$	120 V AC
Nominal current $I_N$	15 A
For country-specific use in	USA
Color	white
Insulating material	PVC 94 V0
Ambient temperature (operation)	-40 °C ... 70 °C
Ambient temperature (storage/transport)	-40 °C ... 70 °C
Standards/regulations	UL 508

Length	134 mm
Width	83 mm
Height	49 mm

**Connection data**

Conductor cross section solid min.	0.2 mm <sup>2</sup>
Conductor cross section solid max.	6 mm <sup>2</sup>
Conductor cross section stranded min.	0.2 mm <sup>2</sup>
Conductor cross section stranded max.	4 mm <sup>2</sup>
Conductor cross section AWG/kcmil min.	24
Conductor cross section AWG/kcmil max	10
Type of connection	Screw connection
Stripping length	8 mm
Screw thread	M 3

**Certificates / Approvals**

Approval logo

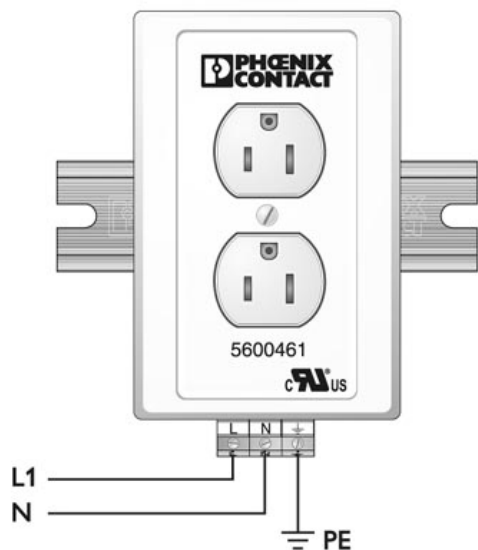


**requested approbations**

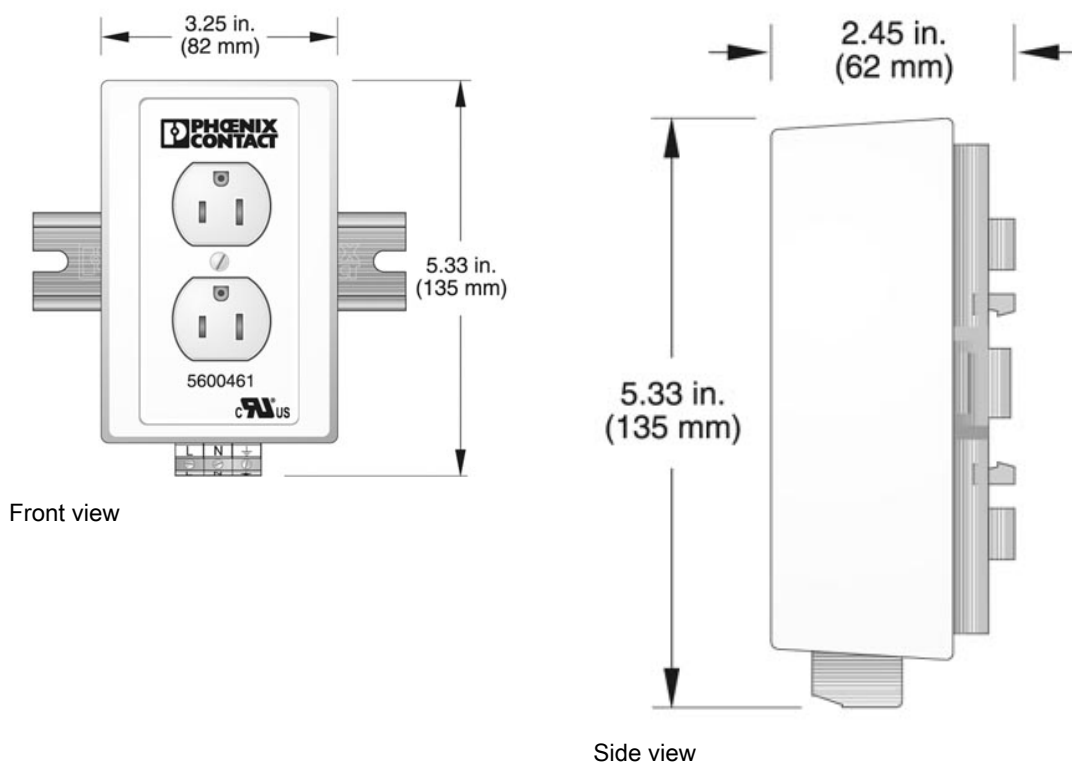
Certification	CUL Listed, UL Listed
---------------	-----------------------

## Drawings

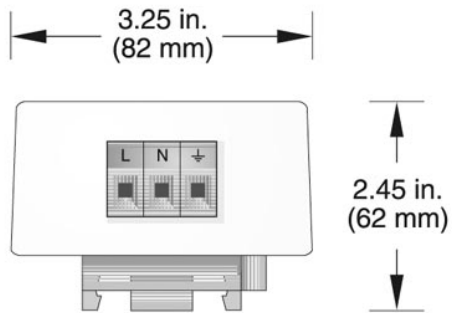
### Connection diagram



### Dimensioned drawing

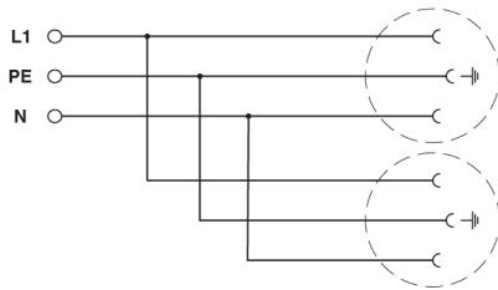


Bottom view



Circuit diagram

---



**Address**

PHOENIX CONTACT Inc., USA  
586 Fulling Mill Road  
Middletown, PA 17057, USA  
Phone (800) 888-7388  
Fax (717) 944-1625  
<http://www.phoenixcon.com>



© 2008 Phoenix Contact  
Technical modifications reserved;